

LIFEJACK® MOD JACKS MODS-LJ SERIES

SPECIFICATIONS

For complete specifications and recommended PCB layouts see www.samtec.com?MODS-LJ

Insulator Material: Black LCP

Contact Material: BeCu

Shield Material: Brass

Plating: Gold on Contacts and Tails (LJRS), Tin on Shield (MODS-LJ)

Operating Temp Range: -55°C to +125°C

Current Rating: 1.5 A per contact

Voltage Rating: 120 VAC max

Contact Resistance: 20 mΩ max

Minimum Cycles: 1000 per contact array (LJRS)

System Applications: CAT3

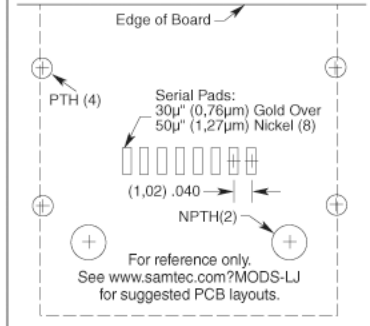
RoHS Compliant: Yes

Lead-Free Solderable: Yes

Packaging: Packaged and shipped in Bulk Packaging Trays; Trays suitable for automation are available upon request.



APPLICATION



End-user replaceable contact array for 100,000 or more cycles (See LJRS Series)

- Replace contacts in high cycle applications
- Replace damaged contacts
- Replace contacts without desoldering connector or opening box

Single row of contacts for true serial pinout

Customer Assembly Required

Compression contacts interface with PCB

MODS

LJ

8P8C

PLATING

S

OPTION

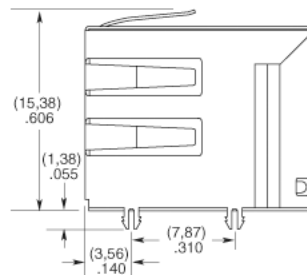
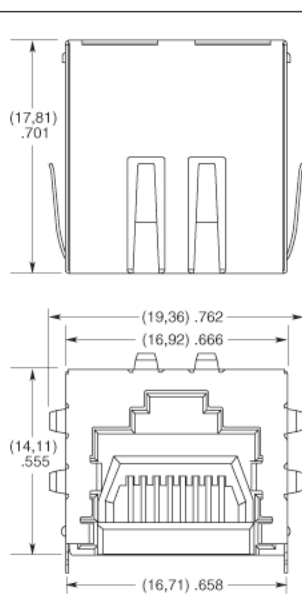
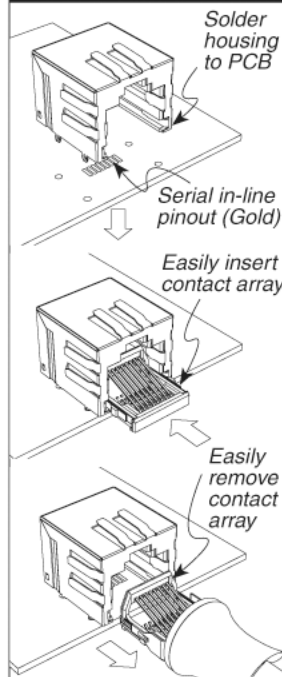
-H

= 30µ" (0,76µm) Gold on contact assembly, Tin on shield (See LJRS Series for replacement contact assemblies)

-A

= Alignment Pin (Leave Blank for no Alignment Pin)

APPLICATIONS



Signal Contact Array Shown inserted (Customer assembly required after soldering shield with insulator to PCB) Housing and contact array shipped separately

ALSO AVAILABLE

Replacement Contact Array: LJRS-8P8C-H-01
Extraction Tool: CAT-EX-LJRS-01
Housing Only: LJHSG-8P8C-T-01-A

Due to technical progress, all designs, specifications and components are subject to change without notice.

WWW.SAMTEC.COM